

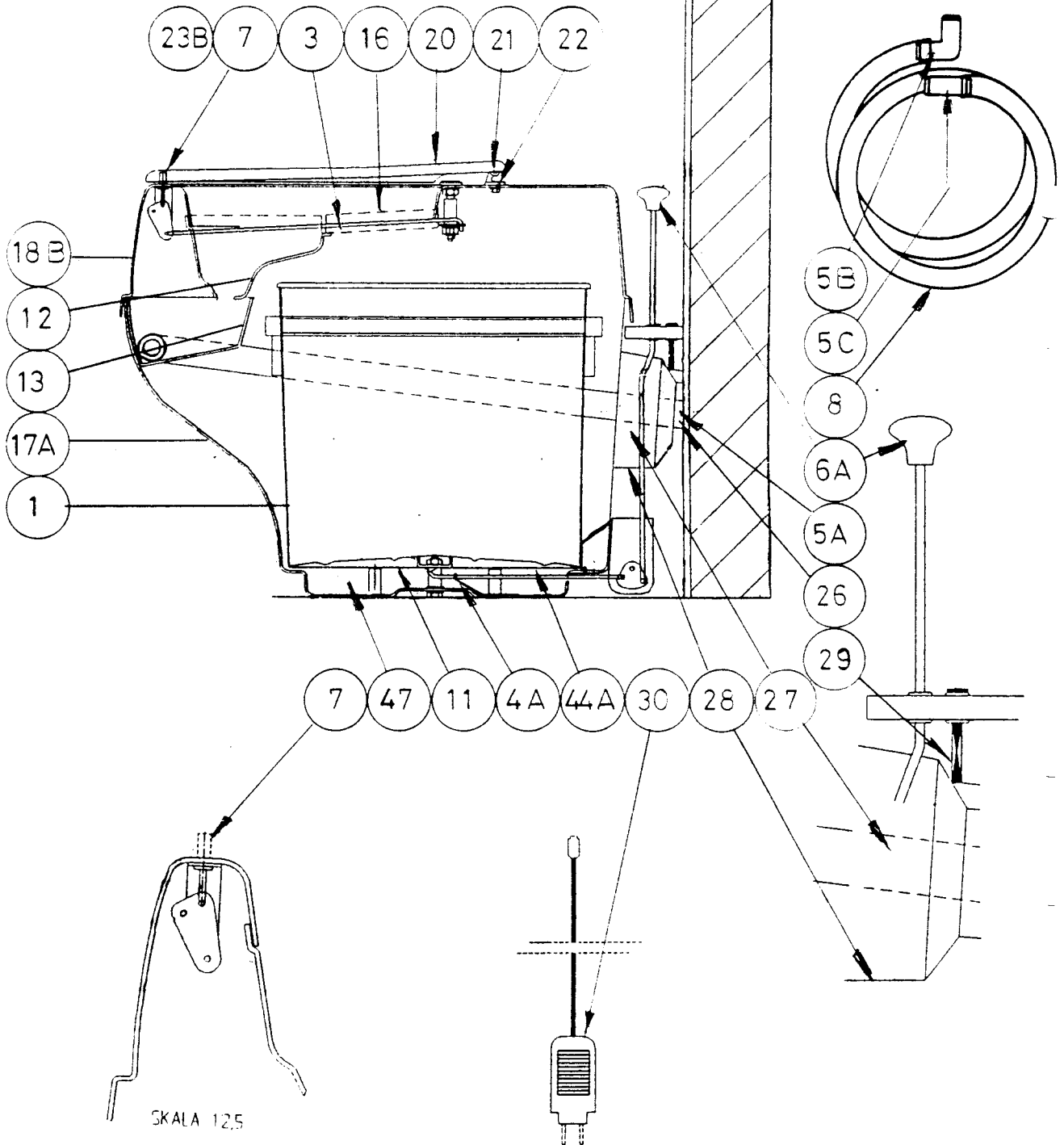
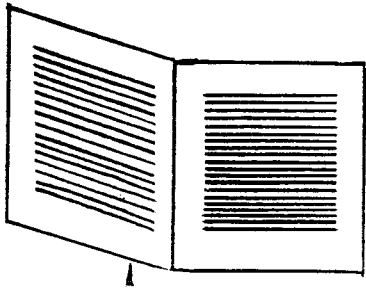
PRODUCT NO
9440620-01
9440620-02

This document must not be copied without our written permission, and the contents thereof must not be imparted to a third party nor be used for any unauthorized purpose. Contravention will be prosecuted

Quality and design
 by
 Servator

SEPRETT Q40FT
 230 V AC

Drawn	Date	Scale
AJ	960417	
Checked	Date	
Drawing number	Rev.	
10375-02	A	



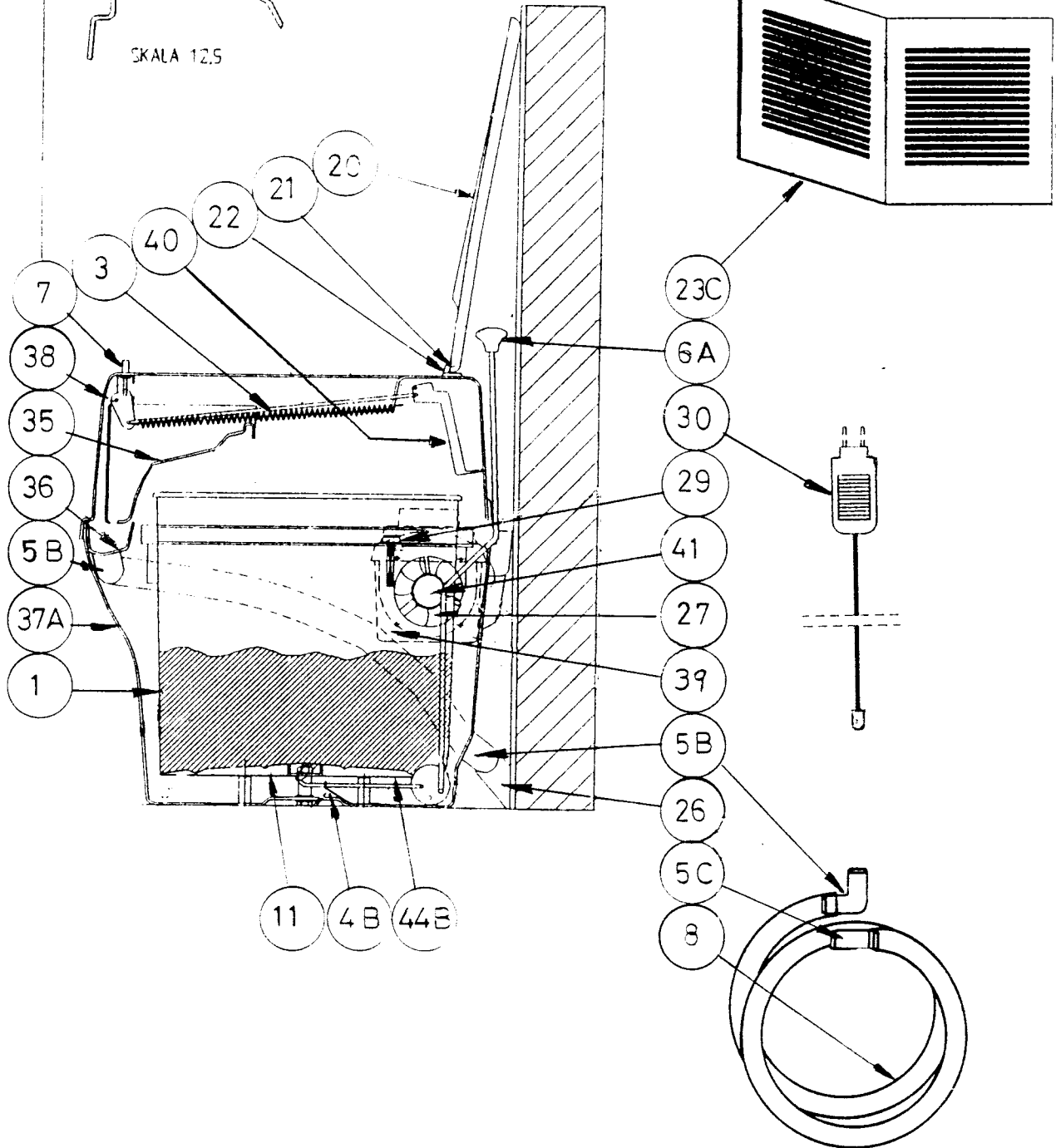
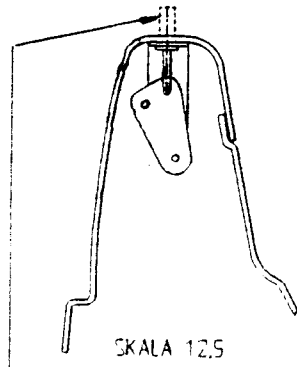
PRODUCT NO 9440621-01

This document must not be copied without our written permission, and the contents thereof must not be imparted to a third party nor be used for any unauthorized purpose. Contravention will be prosecuted.

Quality and design
by
Servator

SEPRETT Q41 FT
12 V DC

Drawn	Date	Scale
AJ	960417	
Checked	Date	
Drawing number	Rev.	
	A	



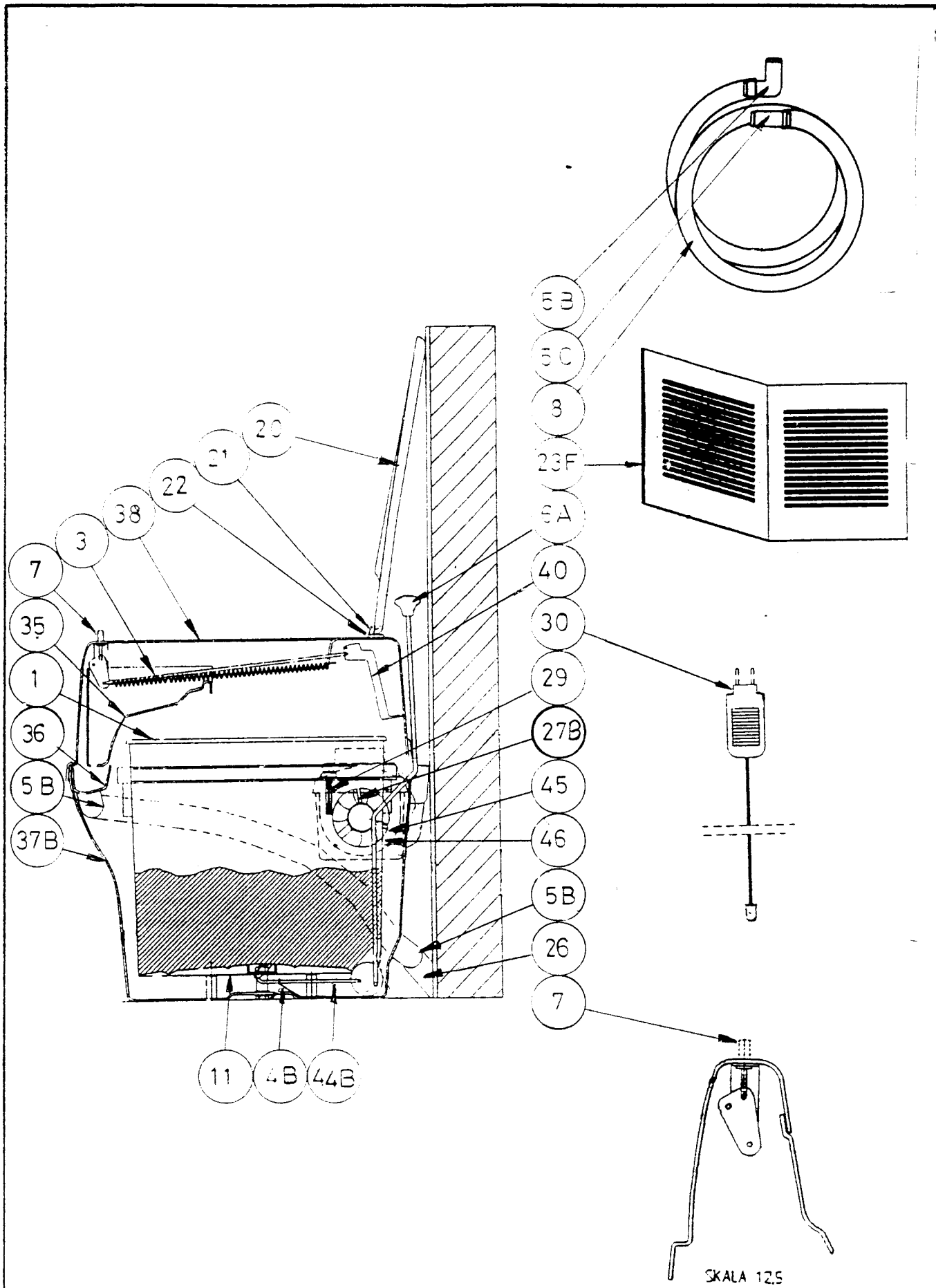
PRODUCT NO 9440623-01

This document must not be copied without our written permission, and the contents thereof must not be imparted to a third party nor be used for any unauthorized purpose. Contravention will be prosecuted

Quality and design
by
Servator

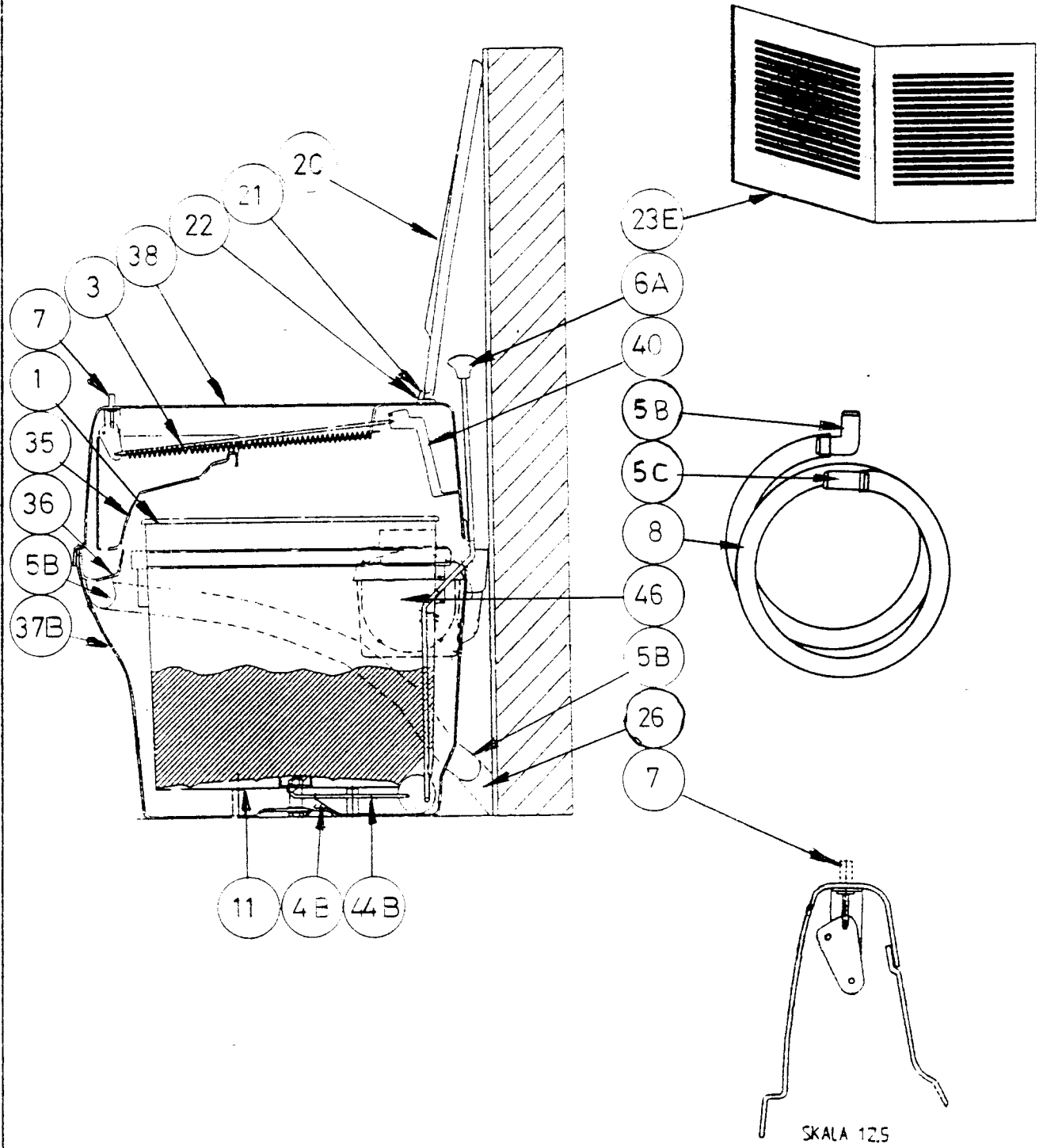
SEPRETT Q50FT
COLONI

Drawn	Date	Scale
AJ	960417	
Checked	Date	
Drawing number	Rev.	
	A	



PRODUCT NO 9440624-01

This document must not be copied without our written permission, and the contents thereof must not be imparted to a third party nor be used for any unauthorized purpose. Contravention will be prosecuted.	Quality and design by Servator	SEPRETT Q51FT COLONI	Drawn Date AJ 960417	Scale
			Checked Date	
			Drawing number	Rev. A



PRODUCT NO 9440624-02

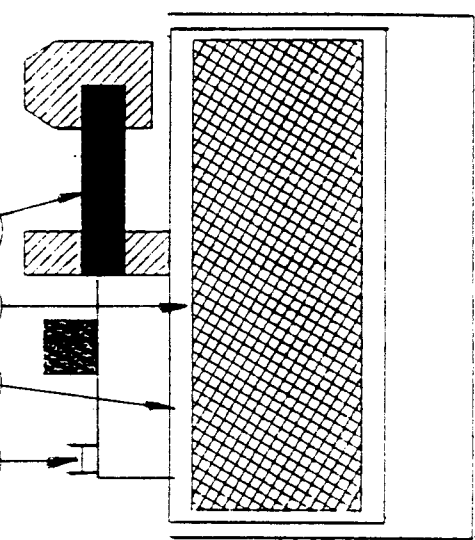
This document must not be copied without our written permission, and the contents thereof must not be imparted to a third party nor be used for any unauthorized purpose. Contravention will be prosecuted.

Quality and design
by
Servator

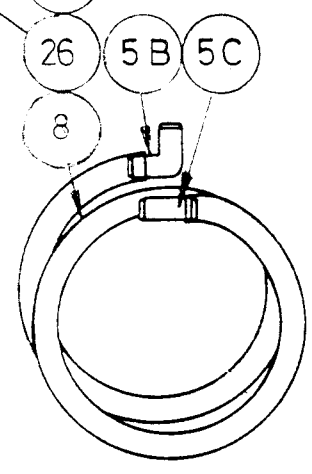
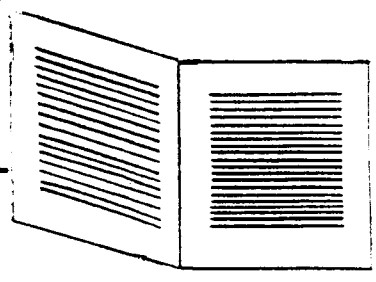
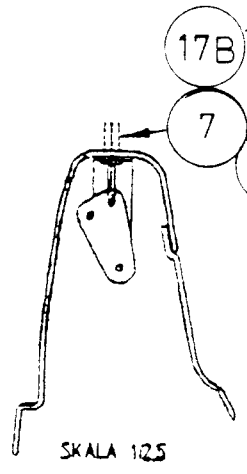
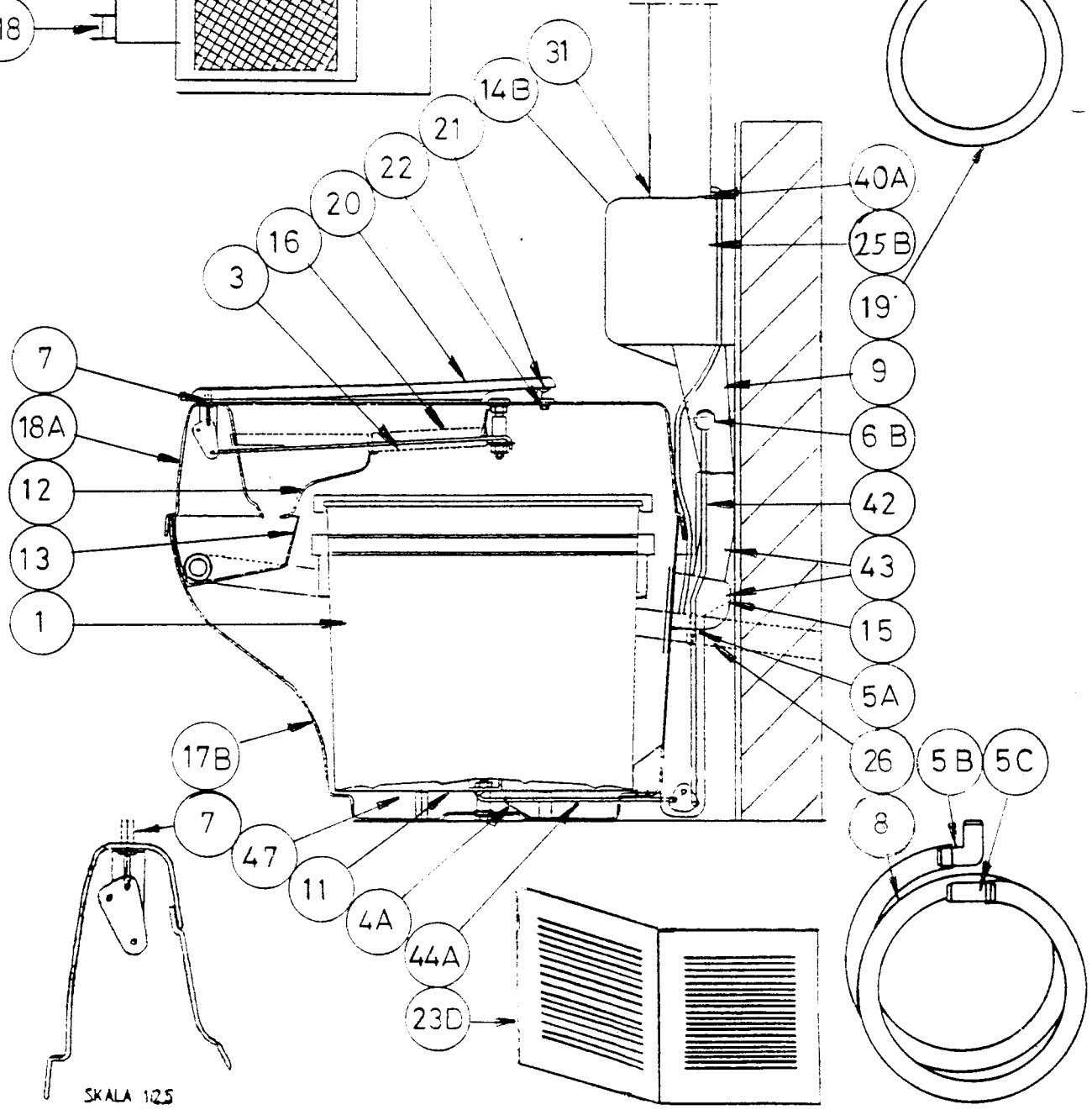
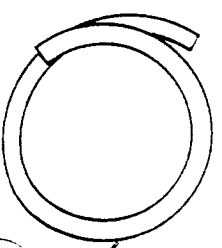
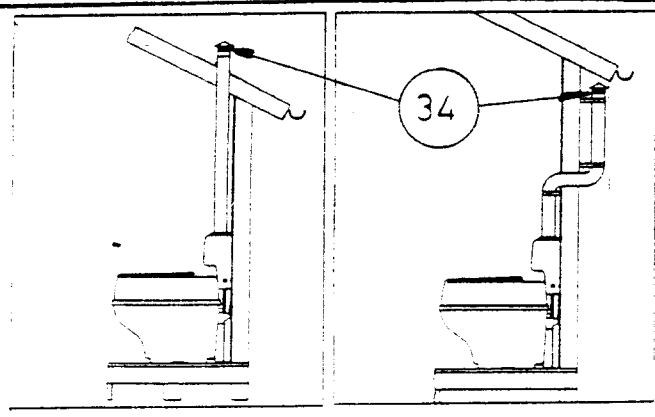
SEPRETT Q55FT
COLONI UF

Drawn	By	Scale
Checked	Date	
Working number	Rev.	
	A	

- 33
- 030
- 029
- 018



10B



PRODUCT NO 9440622-01

This document must not be copied without our written permission, and the contents thereof must not be imparted to a third party nor be used for any unauthorized purpose. Contravention will be prosecuted.

Quality and design
by
Servator

**SEPRETT Q60FT
VILLA**

Drawn	Date	Scale
AJ	960417	
Checked	Date	
Issuing number		Rev.
		A

RESERVDELS LISTA SEPARETT Q40 Q41 Q50 Q51 Q55 Q60.

ART NR	NAMN :	PASSAR :						POS :
		Q40	Q41	Q50	Q51	Q55	Q60	
3032301-01	INNERBEHÅLLARE	X	X	X	X	X	X	1
3032302-01	LOCK	X	X	X	X	X	X	2
3032309-01	DRAGFJÄDER	X	X	X	X	X	X	3
3032310-01	BLADFJÄDER	X	X				X	4A
3032310-02	BLADFJÄDER			X	X	X		4B
3032317-01	45 RÖRSKARV	X	X	X	X	X	X	5A
3032317-02	90 RÖRSKARV	X	X	X	X	X	X	5B
3032317-03	SKAXVMUFF	X	X	X	X	X	X	5c
3032320-01	SPOKKNOPP	X	X	X	X	X		6A
3032320-02	SPOKWCPP VILLA						X	6B
3032321-01	KNOPP COLONI			X	X	X		7
3032321-02	KNOPP VILLA	X	X				X	7
3032323-02	URINSLANG 2 METER	X	X	X	X	X	X	8
3032326-02	UTLUFTSRÖRVILLA						X	9
3032329-01	FLÄKTLÅDA	X						10A
3032329-02	FLÄKTLÅDA VILLA						X	10B
3032330-01	ROTERSKIVA	X	X	X	X	X	X	11
3032331-01	URINSKÅL	X	X				X	12
3032332-01	URINSAMLARE	X	X				X	13
3032333-01	FLÄKTKÅPA & DEKOR	X						14A
3032333-02	FLÄKTKÅPA VILLA						X	14B
3032334-02	RÖRSTOS VILLA						X	15
3032335-01	INSYNSKYDD	X	X				X	16
3032336-01	UNDERDEL	X	X					17A
3032336-02	UNDERDEL VILLA						X	17B
3032337-01	ÖVERDEL	X					X	18A
3032337-02	ÖVERDEL MED DEKOR		X					18B
3032344-01	KONDENSSLANG	X					X	19
3032350-10	TOALETTSITS IFÖKPL	X	X	X	X	X	X	20
3032351-01	GÅNGJÄRN	X	X	X	X	X	X	21
3032352-01	GÅNGJÄRNSMUTTER	X	X	X	X	X	X	22
3032354-01	BRUKSANVISNING Q40	X						23A
3032354-02	BRUKSANVISNING Q41		X					23B
3032354-04	BRUKSANVISNING Q50			X				23C
3032354-05	BRUKSANVISNING Q60						X	23D
3032354-07	BRUKSANVISNING Q55					X		23E
3032354-08	BRUKSANVISNING Q51				X			23F
3032360-03	EMBALLAGE COLONI			X	X	X		24A
3032360-04	EMBALLAGE VILLA						X	24B
3032371-01	FLÄKTLÅDA KPL	X						25A
3032371-02	FLÄKTLÅDA VILLA						X	25B
3032373-01	SKARVRÖR	X	X	X	X	X	X	26
3032375-01	FLÄKT 12 VOLT		X	X				27A
3032375-02	FLÄKT NONOISE				X			27B
3032377-01	FLÄKTSTOS		X					28
3032379-01	KONTAKT		X	X	X			29

RESERVDELS LISTA SEPARETT Q40 Q41 Q50 Q51 Q55 Q60.

ART NR	NAMN:	PASSAR:	POS.
		Q40 Q41 Q50 Q51 Q55 Q60	
3032380-01	BATTERIELIMINATOR	X X X	30
3032381-02	STOS FLÄKTKÅPA		31
3032385-01	KABEL 12 VOLT	X X X	32
3032118-05	FLÄKT	X	33
3032149-01	VENTHUV MED GALLER	X X X X X	34
3032412-01	URINSKÅL CCLCNI	X X X	35
3032413-U1	URINSAMLARE COLONI	X X X	36
3032416-01	UNDERDEL C Q50	X	37A
3032416-02	UNDERDEL C Q51 Q55	X X X	37B
3032417-01	ÖVERDEL COLONI	X X X	38
3032420-01	STOS UTAN FLÄKT KPL	X	39
3032421-01	INSYNSKYDD COLONI	X X X	40
3032422-01	PACKNING FLÄKTSTOS		40A
3032430-01	GENOMFÖRINGSHYLSA	X	41
3032435-01	STYRBUSSNING VILLA		42
3032436-01	UTLUFTSRÖR & STOS	X	43
3032437-01	ROTERSKIVA V KPL	X X	44A
3032437-02	ROTERSKIVA C KPL	X X X	44B
3032446-01	GPACKNING FLÄKT 12V	X X	45
3032446-02	GPACKNING NONOISE	X	45
3032447-01	FLÄKTSTOS C Q51 Q55	X X	46
3032448-01	GUMMISTÖD (4 ST)	X X	47

SEPARETT Q 40 FT = MODEL NR 9440620-01,02
 SEPARETT Q 41 FT = MODEL NR 9440621-01
 SEPARETT Q 50 FT = MODEL NR 9440623-01
 SEPARETT Q 51 FT = MODEL NR 9440624-01
 SEPARETT Q 55 FT = MODEL NR 9440624-02
 SEPARETT Q 60 FT = MODEL NR 9440622-01